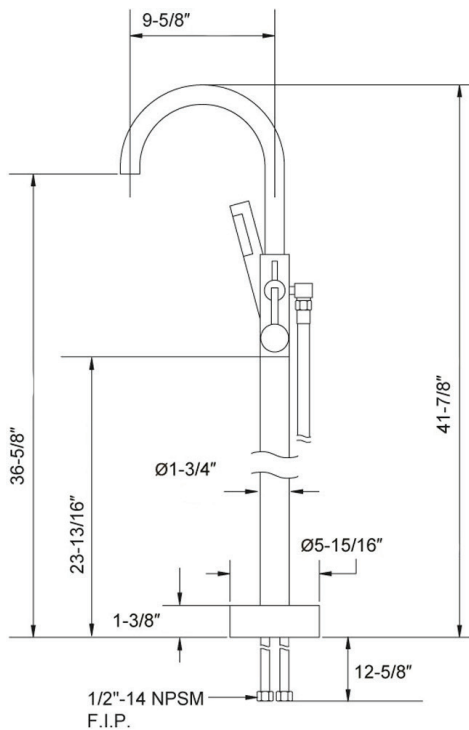




X-ROUND SERIES

FEATURES

- Solid lead-free brass construction
- Spout/handheld flow rates: 6 gpm/3 gpm @60psi
- Single hole floor mounted installation
- Single lever water and temperature control
- Water pressure tested for industry standard
- Sedal ceramic disc valve, tested for 500,000 uses
- All mounting hardware and hot/cold waterlines included
- Finishes resist corrosion and tarnish, exceeding industry durability standards



FINISHES

CHROME (PC)
BRUSHED NICKEL (BN)
MATTE BLACK (MB)
BRUSHED GOLD (BG)