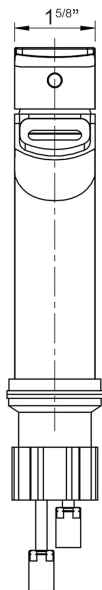
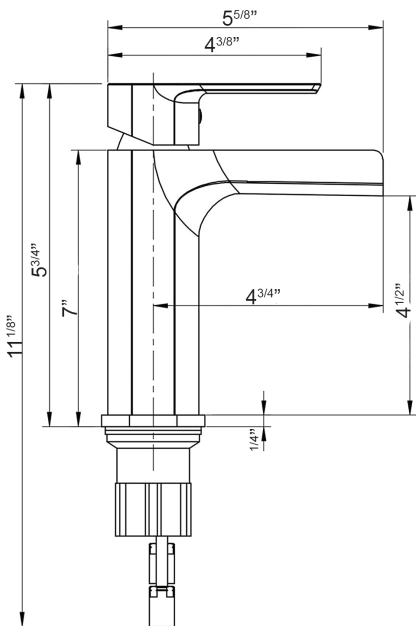


## WESTMOUNT SERIES

### FEATURES

- Solid lead-free brass construction
- 1.5 GPM flow rate @60 PSI
- cUPC certified compliance
- Single-hole installation
- Single lever water and temperature control
- Water pressure tested for industry standard
- Sedal ceramic disc valve, tested for 500,000 uses
- Adjustable angle aerator resists mineral buildup and is easy to clean
- All mounting hardware and hot/cold waterlines included
- Finishes resist corrosion and tarnish, exceeding industry durability standards



### FINISHES

- CHROME (PC)
- BRUSHED NICKEL (BN)
- MATTE BLACK (MB)
- BRUSHED GOLD (BG)