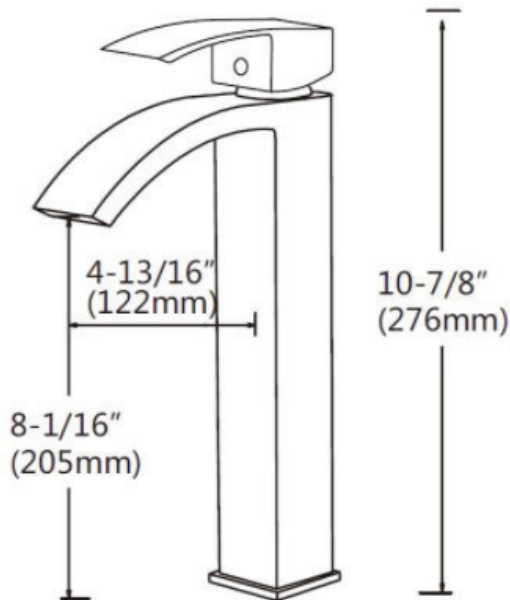




## CASCADE SERIES

### FEATURES

- Solid lead-free brass construction
- 1.5 GPM flow rate @60 PSI
- cUPC certified compliance
- Single-hole installation
- Single lever water and temperature control
- Water pressure tested for industry standard
- Sedal ceramic disc valve, tested for 500,000 uses
- All mounting hardware and hot/cold waterlines included
- Finishes resist corrosion and tarnish, exceeding industry durability standards



### FINISHES

CHROME (PC)  
BRUSHED NICKEL (BN)  
MATTE BLACK (MB)  
BRUSHED GOLD (BG)