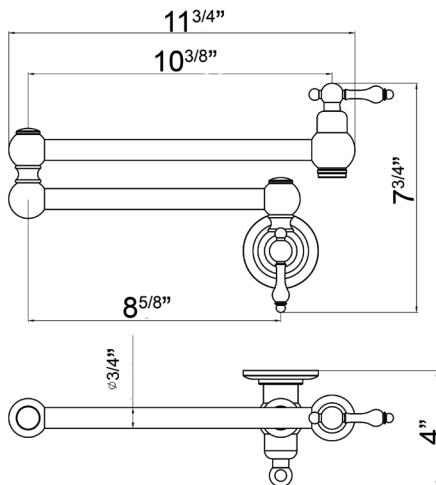




FEATURES

- Brass Body
- Zinc Alloy handle
- 90° rotation angle
- Brass Quick-turn Cartridge
- Flow rate: 1.8 gpm @60psi
- Male NPT 1/2" thread
- Recommended pressure: 14.5-72.5 psi
- Spout Reach: 19"
- Overall height: 7³/₄"
- cUPC approved



FINISHES

- CHROME (PC)
- MATTE BLACK (MB)