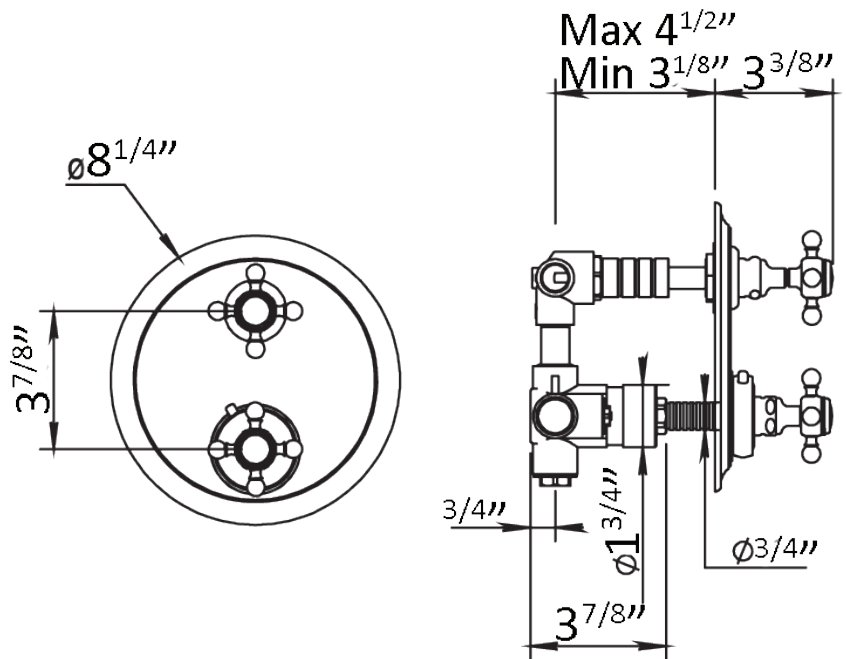


# HORUS

## ELOISE THERMOSTATIC TRIM

100.01.502



- $\frac{3}{4}''$  Thermostatic Trim
- Single Function 2 Way Diverter
- Safety Stop at  $37^{\circ}\text{C}$
- Solid Brass
- Trim Plate for 100.92.593BT

### STANDARD FINISHES



### SPECIALTY FINISHES

#### GLOSSY FINISHES



#### MATTE FINISHES

