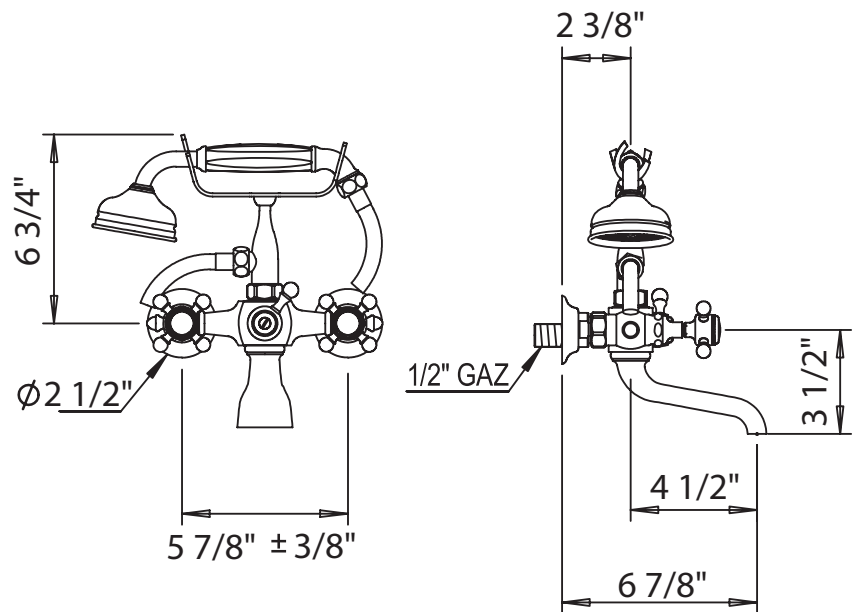


# HORUS

## ELOISE EXPOSED WALL MOUNT TUB FILLER

100.02.414



- Cartridge: 2X HOP92.149BT.R

### STANDARD FINISHES



### SPECIALTY FINISHES

#### GLOSSY FINISHES



#### MATTE FINISHES

