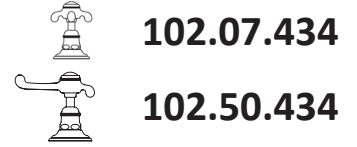


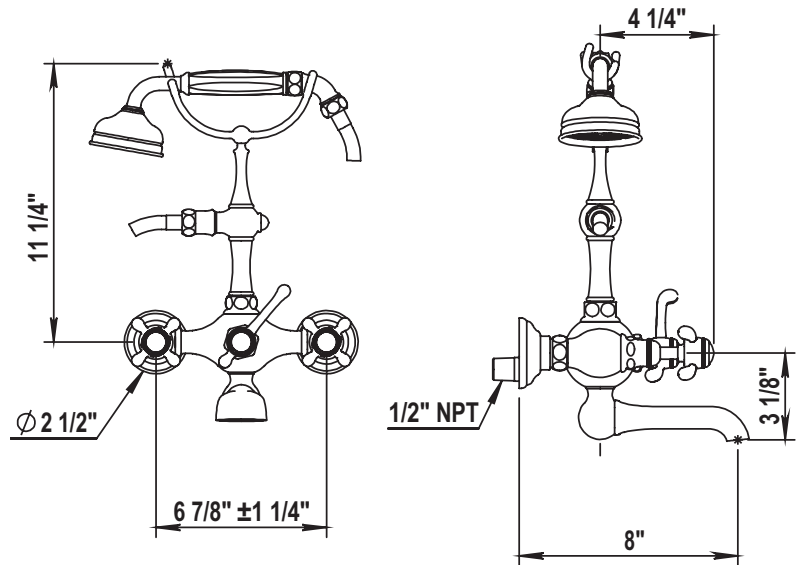
HORUS

MONTMARTRE EXPOSED WALL MOUNTED TUB FILLER



102.07.434

102.50.434



- 102.07.434: Middle handle is lever
- 102.50.434: Middle handle is cross
- Cartridge for 102.07.434: 2x HOP92.149BT.R
- Cartridge for 102.50.434: 1x HOP92.149BT.R (right) & 1x HOP92.149BT.L (left)

STANDARD FINISHES



SPECIALTY FINISHES

GLOSSY FINISHES



MATTE FINISHES

