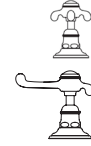


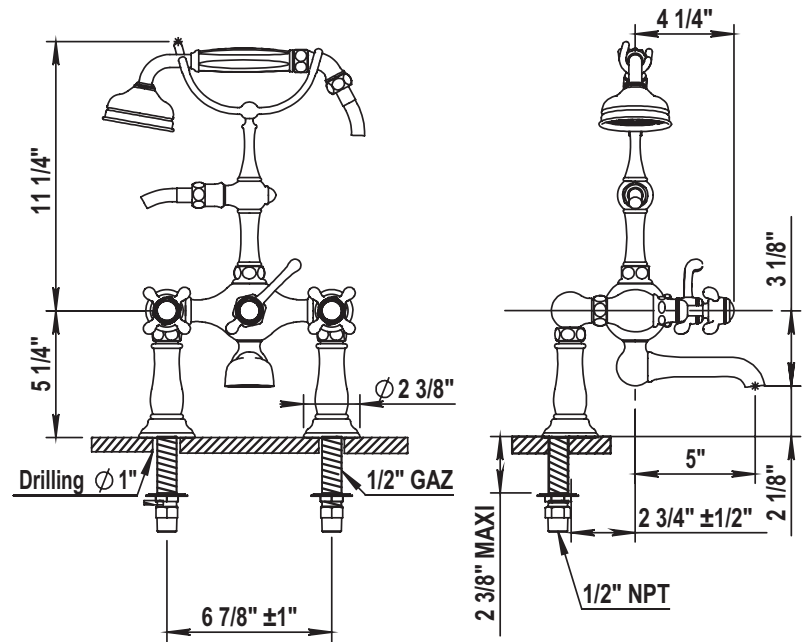
# HORUS

## MONTMARTRE EXPOSED DECK MOUNTED TUB FILLER



102.07.435

102.50.435



- 102.07.435: Middle handle is lever
- 102.50.435: Middle handle is cross
- Cartridge for 102.07.435: 2x HOP92.149BT.R
- Cartridge for 102.50.435: 1x HOP92.149BT.R (right) & 1x HOP92.149BT.L (left)

### STANDARD FINISHES



### SPECIALTY FINISHES

#### GLOSSY FINISHES



#### MATTE FINISHES

