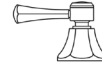


# HORUS

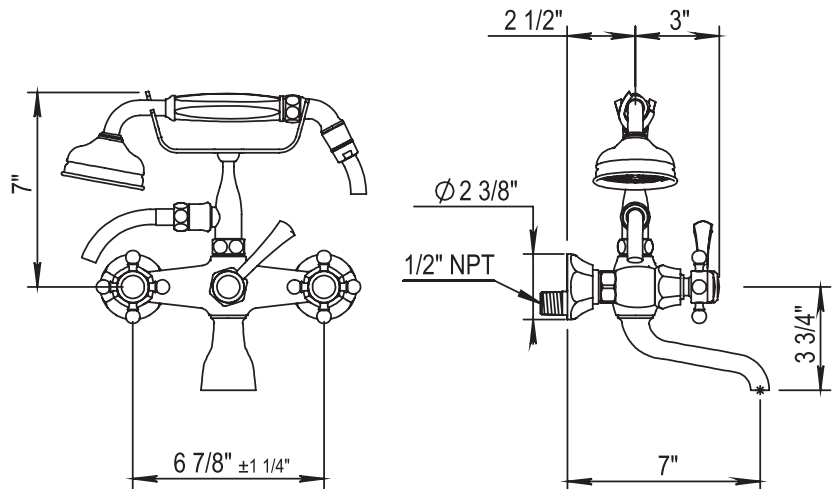
## ASCOTT EXPOSED WALL MOUNT TUB FILLER



102.62.434



102.65.434



### • Cartridge:

Cross handle: 2x HOP92.149.BT.R

Lever handle: 1x HOP92.149.BT.L (left) & 1x HOP92.149.BT.R (right)

102.62.434: Middle handle Cross

102.65.434: Middle handle Lever

### STANDARD FINISHES



**PC** Chrome



**PN** Polished Nickel



**BN** Brushed Nickel

### SPECIALTY FINISHES

#### GLOSSY FINISHES



**GB** Golden Brass



**PS** Polished Silver



**PG** Polished Gold



**UB** Unlacquered Brass

#### MATTE FINISHES



**AB** Antique Brass



**CB** Cannon Bronze



**AS** Antique Silver



**MG** Matte Gold