

HORUS

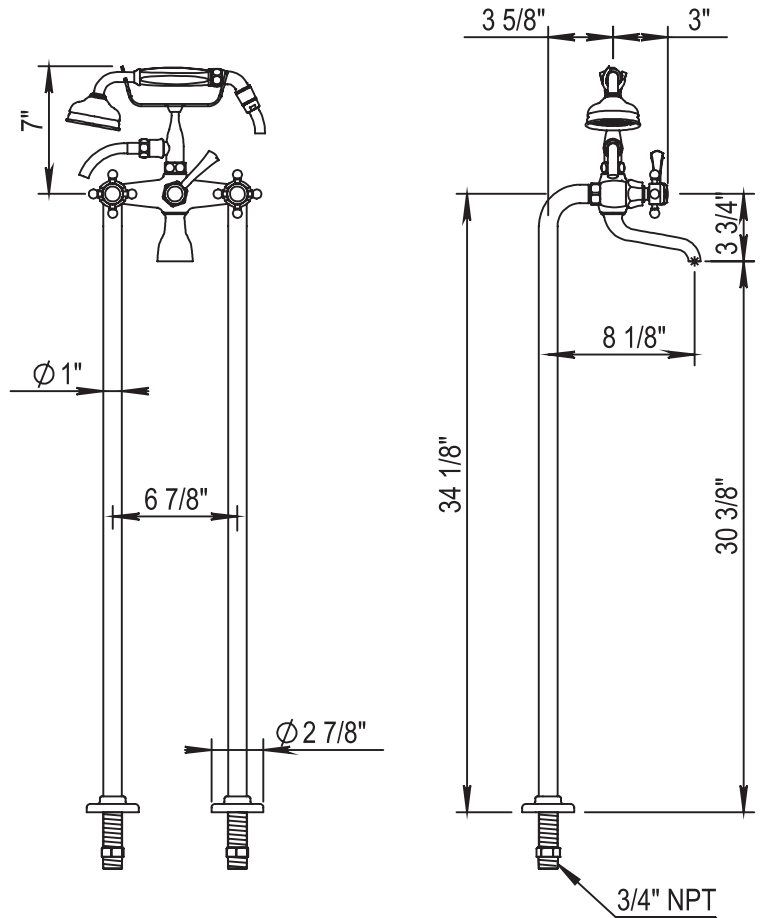
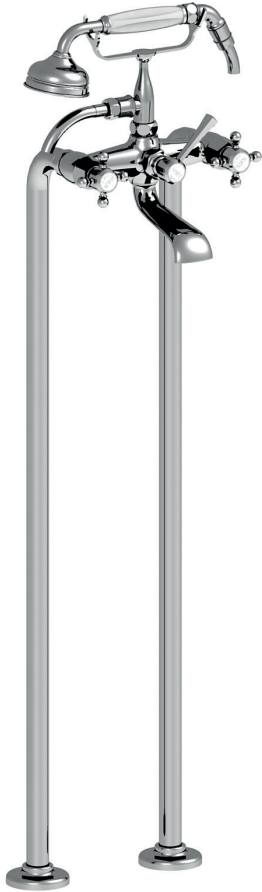
ASCOTT FREESTANDING TUB FILLER



102.62.498



102.65.498



- 102.62.498: Middle handle is lever
- 102.65.498: Middle handle is cross
- Cartridge for 102.62.498: 2x HOP92.149BT.R
- Cartridge for 102.65.498: 1x HOP92.149BT.R (right) & 1x HOP92.149BT.L (left)

STANDARD FINISHES



SPECIALTY FINISHES

GLOSSY FINISHES



MATTE FINISHES

