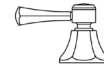
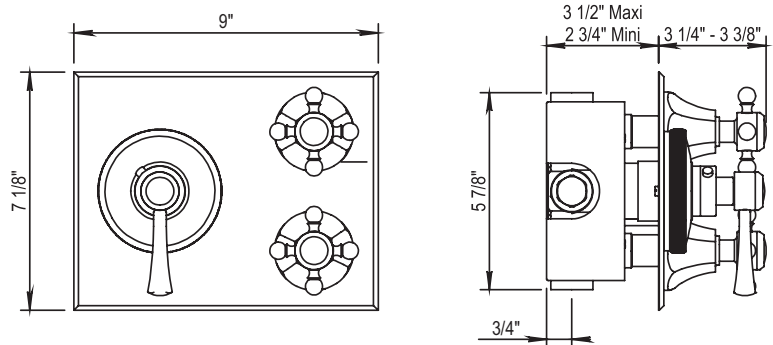


HORUS

ASCOTT THERMOSTATIC TRIM



102.65.527



- 3/4" Thermostatic Trim with Service Stops
- 2 outlets
- Trim Plate for 100.92.597BT
- Solid Brass
- Plate is Reversible

STANDARD FINISHES



SPECIALTY FINISHES

GLOSSY FINISHES



MATTE FINISHES

