

HORUS

ST GERMAIN FLOOR MOUNTED TUB FILLER



102.66.498



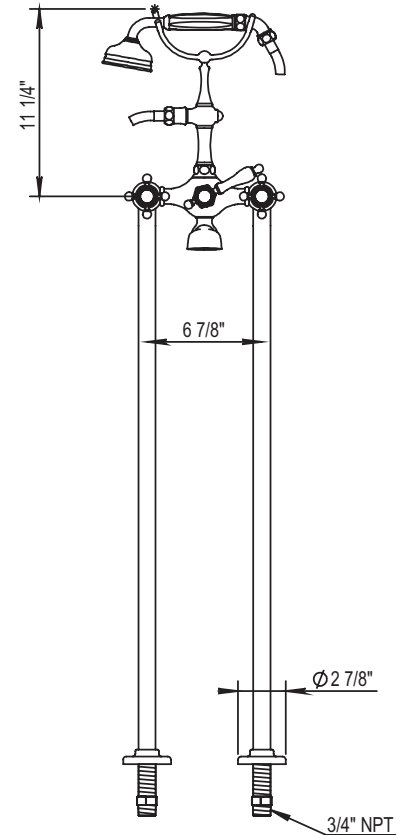
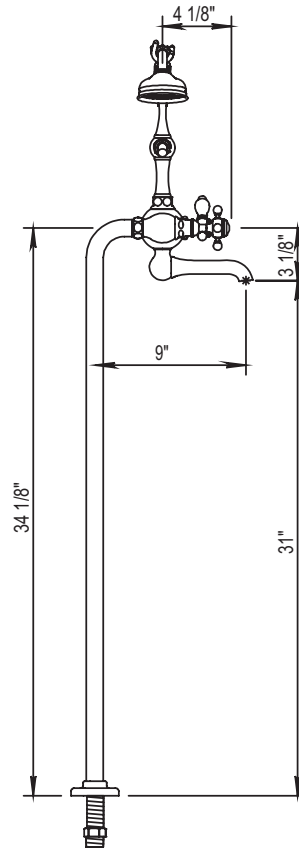
160.67.498



161.67.498



162.67.498



- 102.66.498: Middle handle is lever
- 67.498: Middle handle is cross
- Cartridge for 102.66.498: 2x HOP92.149BT.R
- Cartridge for 67.498: 1x HOP92.149BT.R (right) & 1x HOP92.149BT.L (left)

STANDARD FINISHES



SPECIALTY FINISHES

GLOSSY FINISHES



MATTE FINISHES

