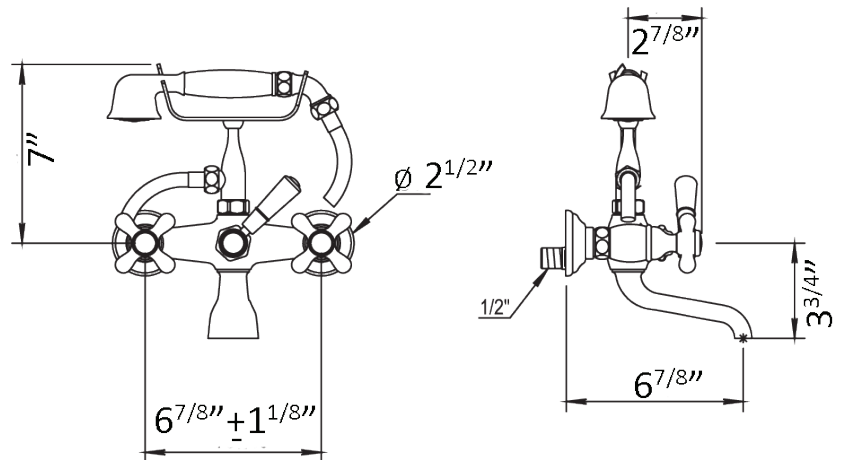


HORUS

MONROE EXPOSED WALL MOUNTED TUB FILLER

100.04.434



- Cartridge: 2x HOP92.149BT.R

STANDARD FINISHES



SPECIALTY FINISHES

GLOSSY FINISHES



MATTE FINISHES

