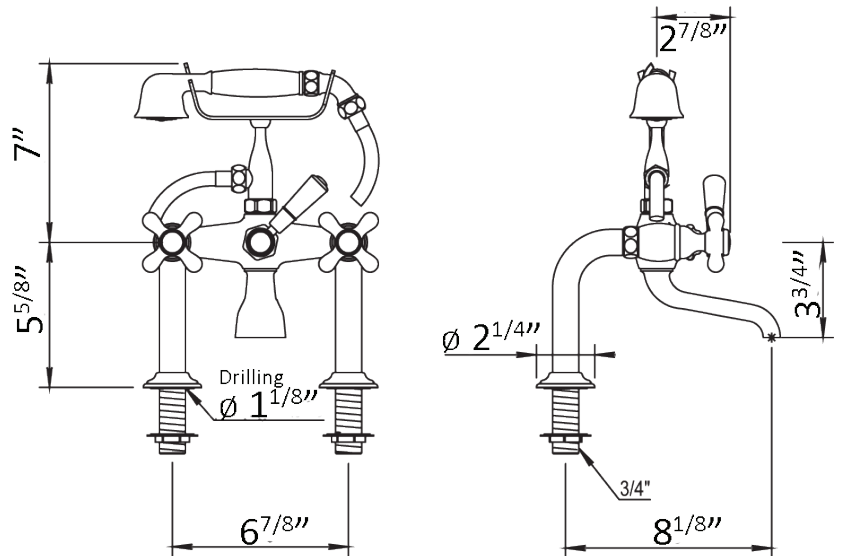


HORUS

MONROE EXPOSED DECK MOUNTED TUB FILLER

100.04.435



- Cartridge: 2x HOP92.149BT.R

STANDARD FINISHES



SPECIALTY FINISHES

GLOSSY FINISHES



MATTE FINISHES

