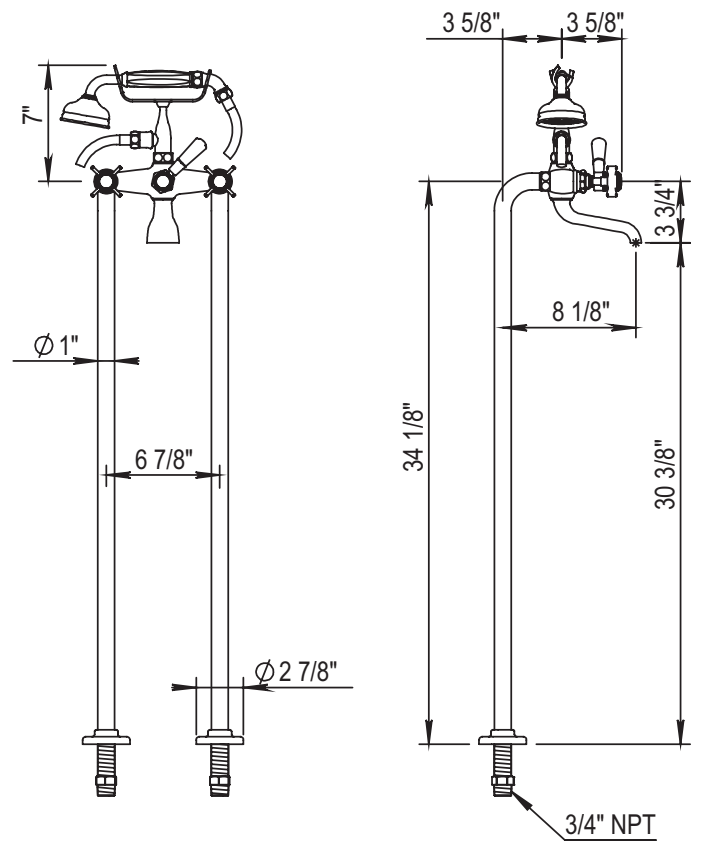
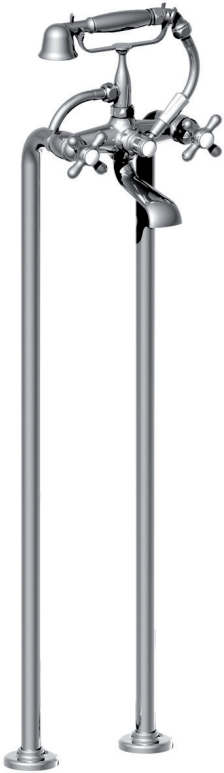


HORUS

MONROE FREESTANDING TUB FILLER

100.04.498



- Cartridge: 2x HOP92.149BT.R

STANDARD FINISHES



SPECIALTY FINISHES

GLOSSY FINISHES



MATTE FINISHES

