

HORUS

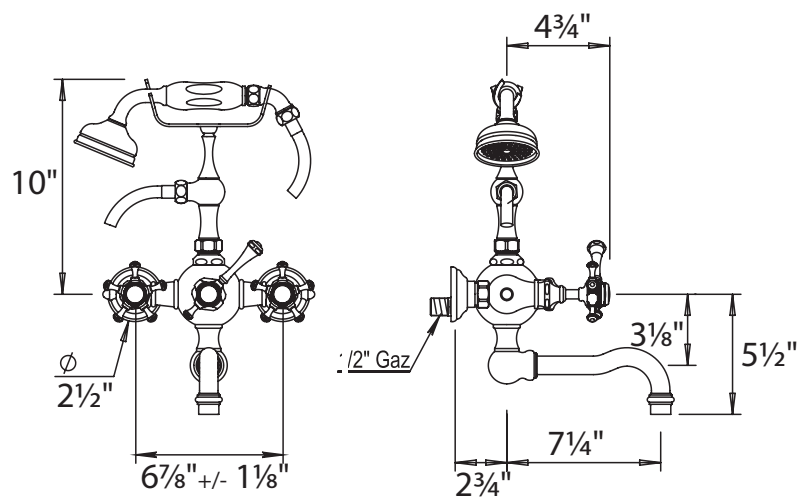
ANTHEA EXPOSED WALL MOUNTED TUB FILLER



100.06.434



100.10.434



- 102.06.434: Middle handle is lever
- 102.10.434: Middle handle is cross
- Cartridge for 102.06.434: 2x HOP92.149BT.R
- Cartridge for 102.10.434: 1x HOP92.149BT.R (right) & 1x HOP92.149BT.L (left)

STANDARD FINISHES



SPECIALTY FINISHES

GLOSSY FINISHES



MATTE FINISHES

