

HORUS

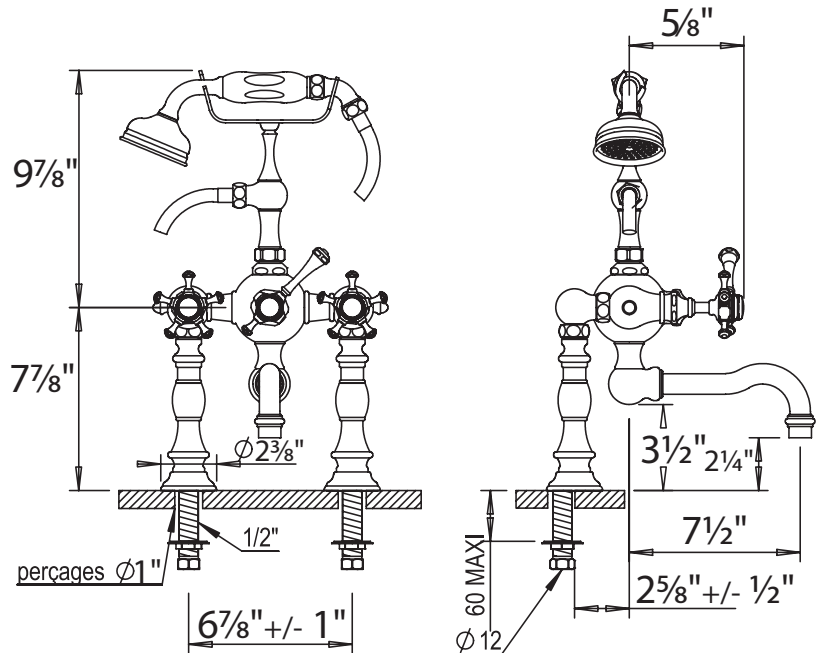
ANTHEA EXPOSED DECK MOUNTED TUB FILLER



100.06.435



100.10.435



- 102.06.435: Middle handle is lever
- 102.10.435: Middle handle is cross
- Cartridge for 102.06.435: 2x HOP92.149BT.R
- Cartridge for 102.10.435: 1x HOP92.149BT.R (right) & 1x HOP92.149BT.L (left)

STANDARD FINISHES



SPECIALTY FINISHES

GLOSSY FINISHES



MATTE FINISHES

