

# HORUS

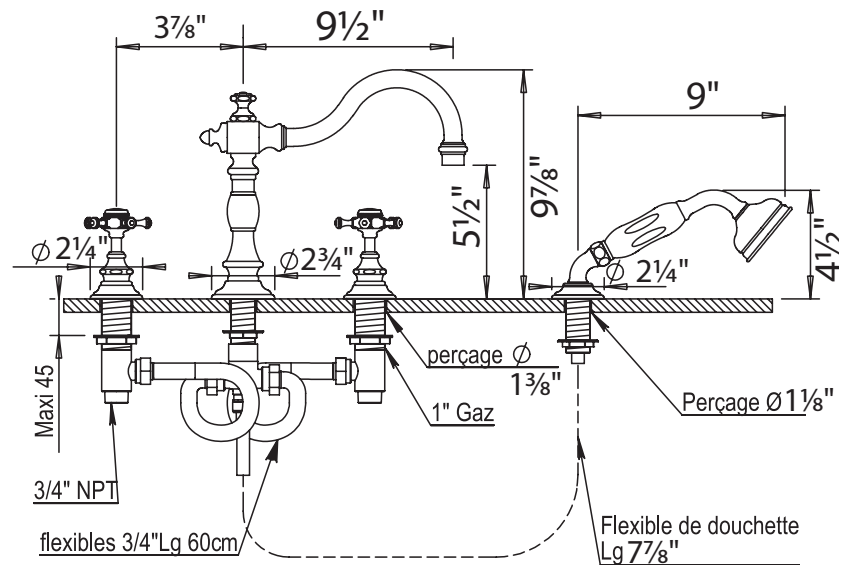
## ANTHEA 4 PIECE DECK TUB FILLER



100.06.464



100.10.464



### • Cartridge:

Cross handle: 2x HOP92.149.BT.R

Lever handle: 1x HOP92.149.BT.L (left) & 1x HOP92.149.BT.R (right)

### STANDARD FINISHES



### SPECIALTY FINISHES

#### GLOSSY FINISHES



#### MATTE FINISHES

