

# HORUS

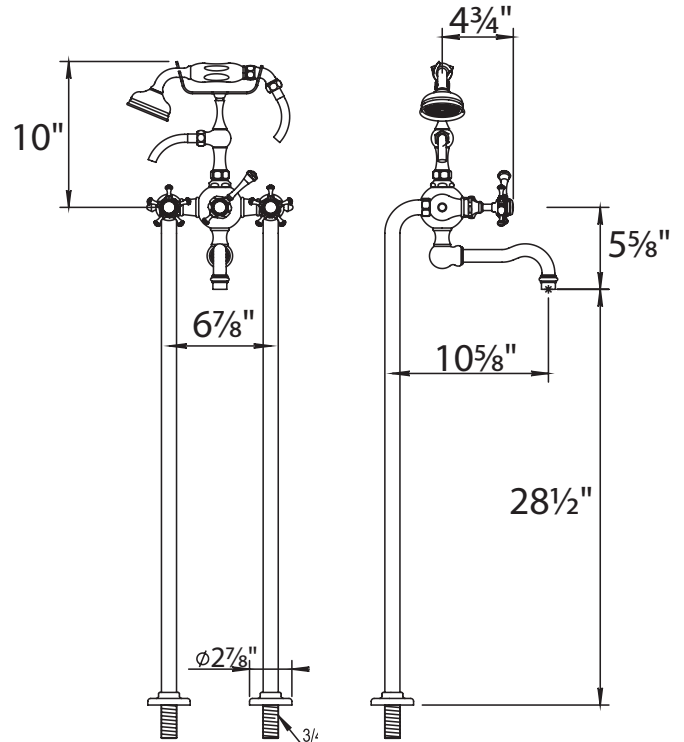
## ANTHEA FREESTANDING TUB FILLER



100.06.498



100.10.498



- 102.06.498: Middle handle is lever
- 102.10.498: Middle handle is cross
- Cartridge for 102.06.498: 2x HOP92.149BT.R
- Cartridge for 102.10.498: 1x HOP92.149BT.R (right) & 1x HOP92.149BT.L (left)

### STANDARD FINISHES



### SPECIALTY FINISHES

#### GLOSSY FINISHES



#### MATTE FINISHES

