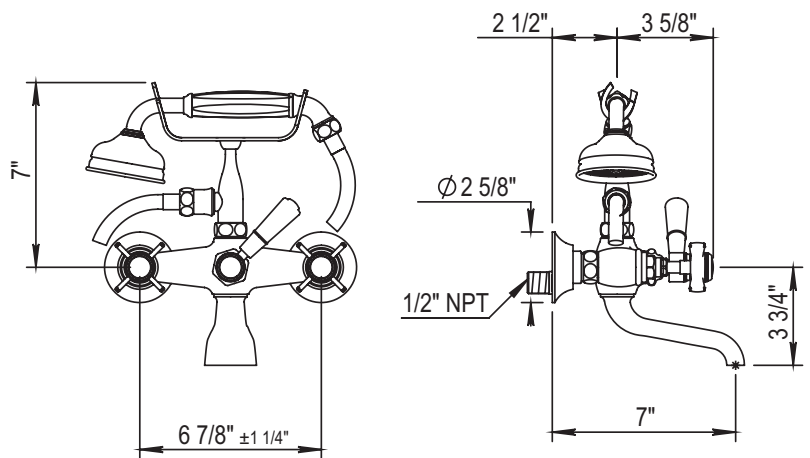


# HORUS

## DOVER WALL MOUNTED TUB FILLER MIXER



102.28.434



- Cartridge: 2X HOP92.149BT.R

### STANDARD FINISHES



### SPECIALTY FINISHES

#### GLOSSY FINISHES



#### MATTE FINISHES

