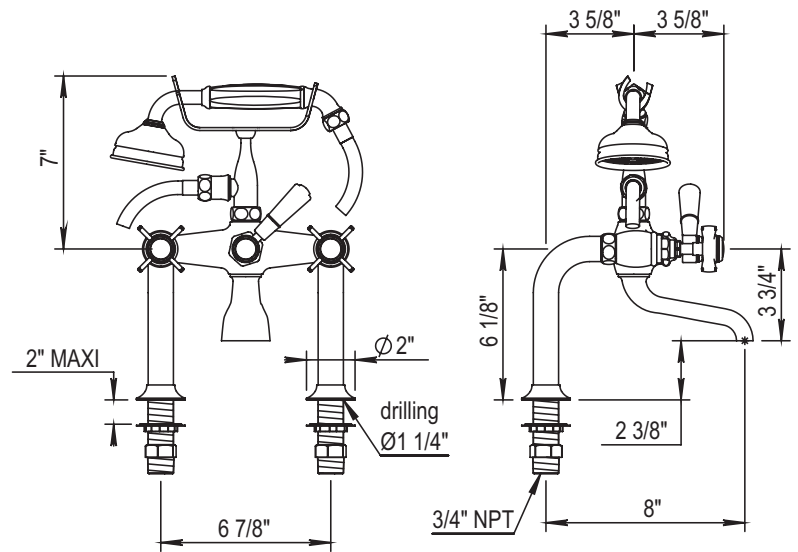


HORUS

DOVER DECK MOUNTED TUB FILLER MIXER



102.28.435



- Cartridge: 2X HOP92.149BT.R

STANDARD FINISHES



SPECIALTY FINISHES

GLOSSY FINISHES



MATTE FINISHES

