

# HORUS

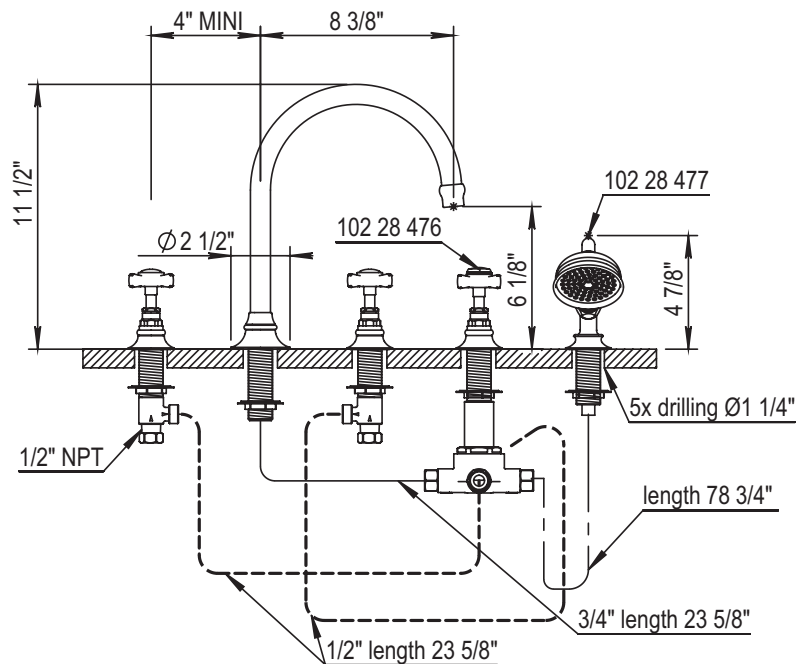
## DOVER 4 PIECE DECK TUB FILLER



102.28.467



102.27.467



- Cartridge:
- Cross handle: 2x HOP92.149.BT.R
- Lever handle: 1x HOP92.149.BT.L (left) & 1x HOP92.149.BT.R (right)

### STANDARD FINISHES



### SPECIALTY FINISHES

#### GLOSSY FINISHES



#### MATTE FINISHES

