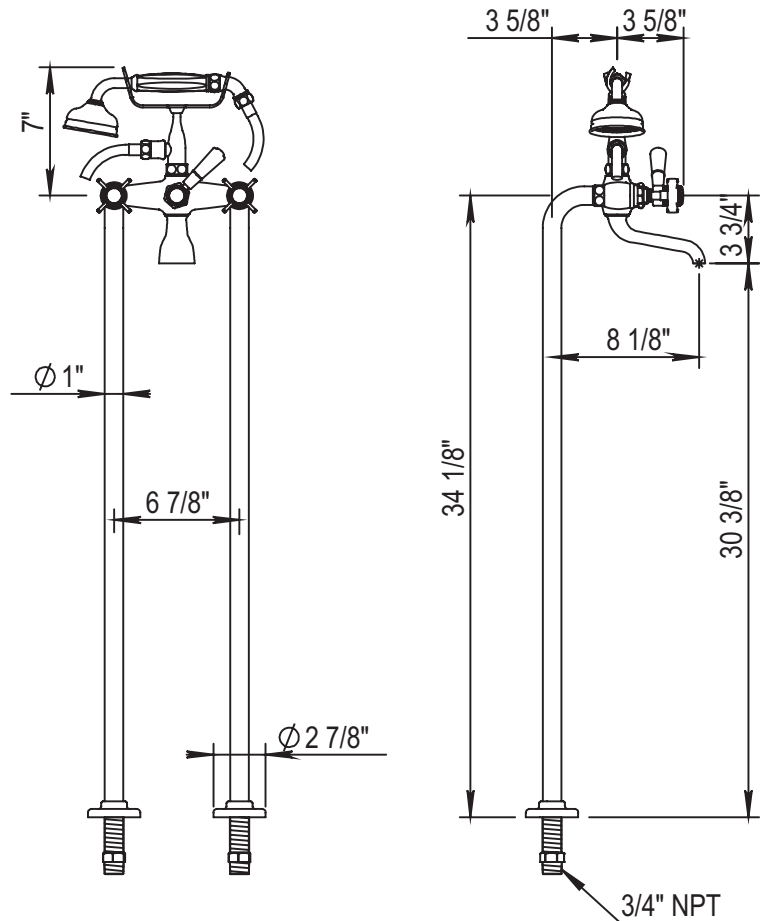


HORUS

DOVER FLOOR MOUNTED TUB FILLER



102.28.498



- Cartridge: 2X HOP92.149BT.R

STANDARD FINISHES



SPECIALTY FINISHES

GLOSSY FINISHES



MATTE FINISHES

