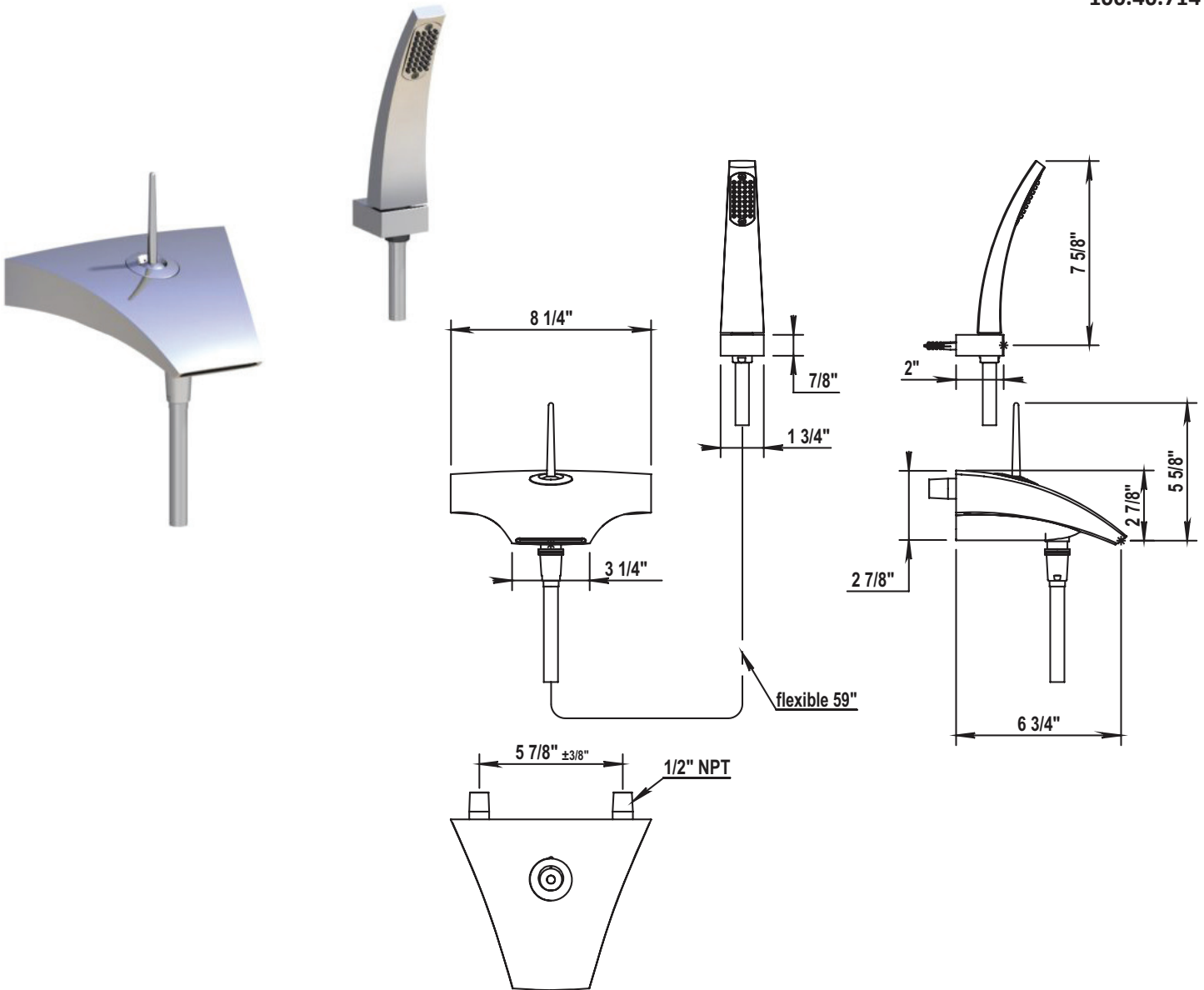


# HORUS

## NEW WAVE WALL MOUNTED TUB FILLER

100.40.714



### STANDARD FINISHES



### SPECIALTY FINISHES



### PVD FINISHES

