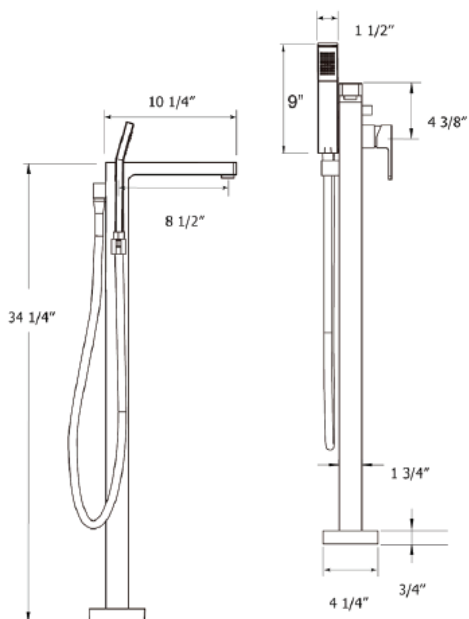




**TITAN SERIES**

**FEATURES**

- Solid lead-free brass construction
- Spout/handheld flow rates: 6 gpm/3 gpm @60psi
- Single hole floor mounted installation
- Single lever water and temperature control
- Water pressure tested for industry standard
- Sedal ceramic disc valve, tested for 500,000 uses
- All mounting hardware and hot/cold waterlines included
- Finishes resist corrosion and tarnish, exceeding industry durability standards
- Finishes resist corrosion and tarnish, exceeding industry durability standards



**AVAILABLE FINISHES**

- PC  CHROME
- MB  MATTE BLACK
- BG  BRUSHED GOLD
- BN  BRUSHED NICKEL