



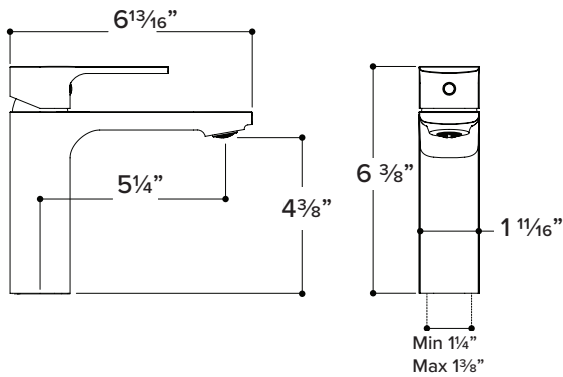
WESTMOUNT SERIES

FEATURES



Solid lead-free brass construction
 1.5 GPM flow rate @60 PSI
 cUPC certified compliance
 Single-hole installation
 Single lever water and temperature control
 Water pressure tested for industry standard
 Sedal ceramic disc valve, tested for 500,000 uses
 Adjustable angle aerator resists mineral buildup
 All mounting hardware and hot/cold waterlines included
 Finishes resist corrosion and tarnish, exceeding industry durability standards

SPECS

Spout reach: 5 1/4"
 Spout height: 4 3/8"
 Faucet height: 6 3/8"
 Standard US plumbing 3/8" connections
 Standard 1 3/8" diameter opening required



AVAILABLE FINISHES

- PC  CHROME
- MB  MATTE BLACK
- BG  BRUSHED GOLD
- BN  BRUSHED NICKEL