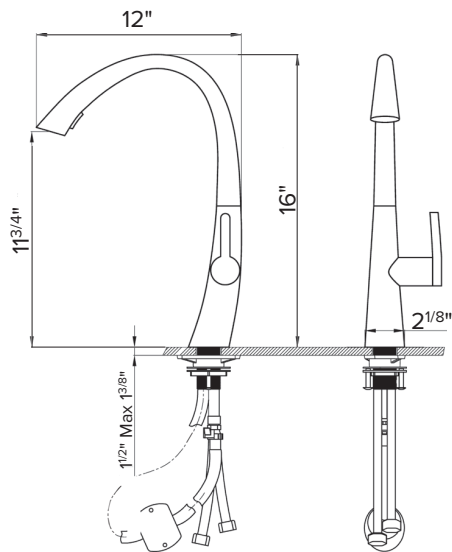




## CURVE SERIES

### FEATURES

- Single lever water & temperature handle
- Flexible 1.5m braided Nylon pull-out hose
- ABS Dual function handshower
- Neoperl ABS Aerator
- Solid lead-free brass construction
- Handle made of zinc alloy
- Ceramic cartridge
- 1.8 gpm max flow rate at 60psi
- 1 3/8" diameter opening required
- Max 1.5" Countertop thickness
- cUPC approved



### AVAILABLE FINISHES

PC  CHROME

MB  MATTE BLACK