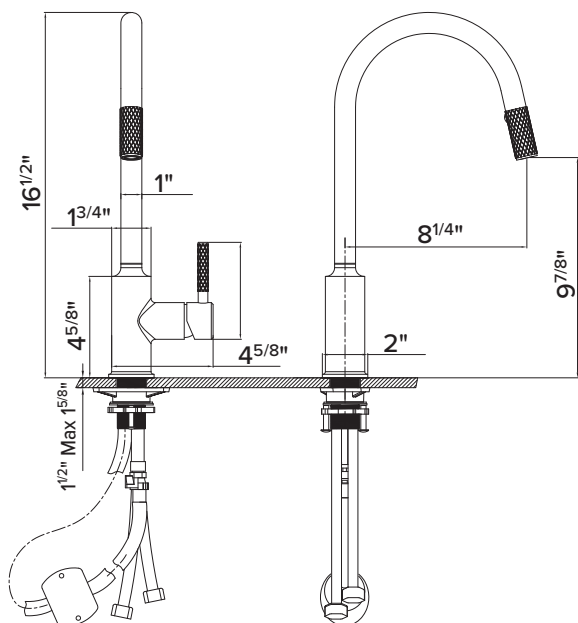




MERLOT SERIES

FEATURES

- Single lever water & temperature handle
- Flexible 1.5m braided Nylon pull-out hose
- Dual Spray
- Gold etched detailed handle & spray head
- Neoperl Aerator
- 304 Stainless Steel body
- Ceramic cartridge
- 1.8 gpm max flow rate at 60psi
- 1 3/8" diameter opening required
- Max 1.5" Countertop thickness
- cUPC approved



AVAILABLE FINISHES

MBG  MATTE BLACK & BRUSHED GOLD