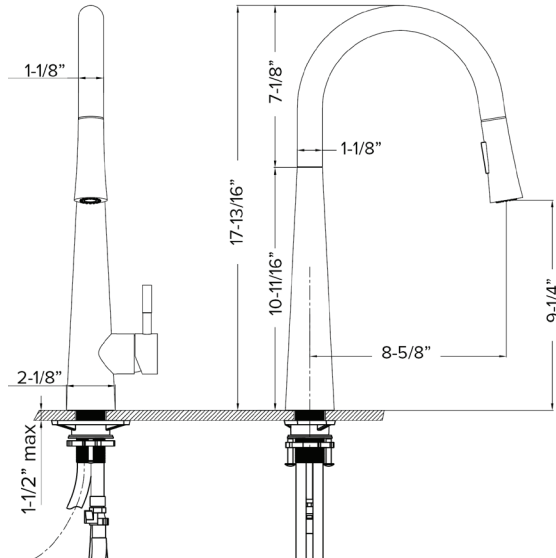




## CALAMITA SERIES

### FEATURES

- Single lever handle
- Magnetic locking system
- 304 Stainless Steel body
- Flexible pull-out hose
- Dual Spray
- Ceramic disc valves exceed industry standards
- 1.8 gpm (6.84 l/min) max flow rate at 60psi
- Max Countertop thickness: 1.5"
- cUPC approved



### AVAILABLE FINISHES

PC  CHROME

MB  MATTE BLACK