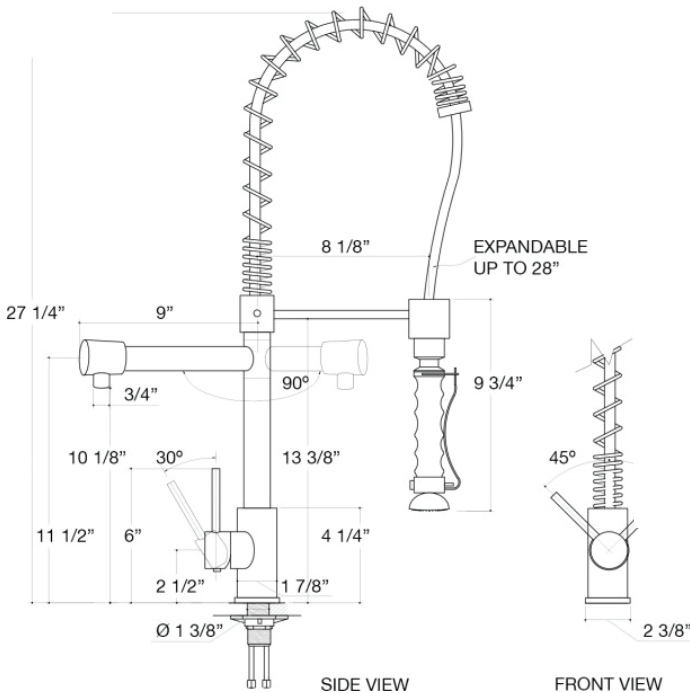



**CHEVAL SERIES**

**FEATURES**

- Single lever water & temperature handle
- Flexible braided Nylon pull-out hose
- Dual Spray
- 360° swivel spout
- Solid lead-free brass construction
- Pull down spray head extends up to 30"
- Ceramic disc valve tested for 500,000 uses
- 2.2 gpm max flow rate at 60psi
- 1 3/8" diameter opening required



**AVAILABLE FINISHES**

BN  BRUSHED NICKEL