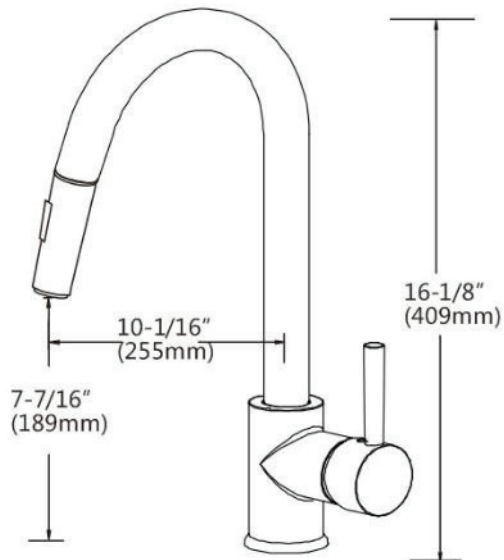






SHIRAZ SERIES

FEATURES

- Single lever handle
- Lead-Free Brass body
- Flexible pull-out hose
- Dual Spray
- Ceramic disc valves exceed industry standards
- 1.8 gpm (6.84 l/min) max flow rate at 60psi
- Flexible supplies for simplified installation
- cUPC & CEC approved



AVAILABLE FINISHES

- PC  CHROME
- MB  MATTE BLACK