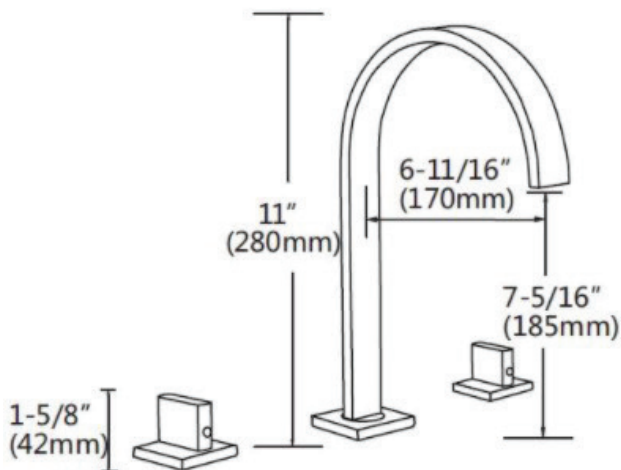


DREAM SERIES

FEATURES

- Solid lead-free brass construction
- 1.5 GPM flow rate @60 PSI
- Quick opening Ceramic cartridge
- All mounting hardware and hot/cold waterlines included
- Finishes resist corrosion and tarnish, exceeding industry durability standard



AVAILABLE FINISHES

PC  CHROME

MB  MATTE BLACK