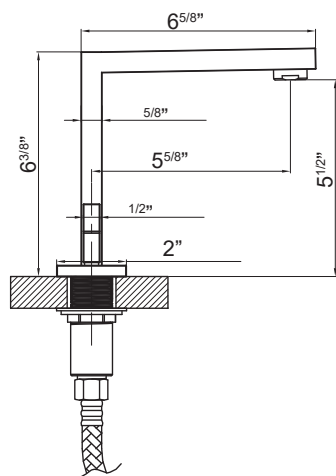
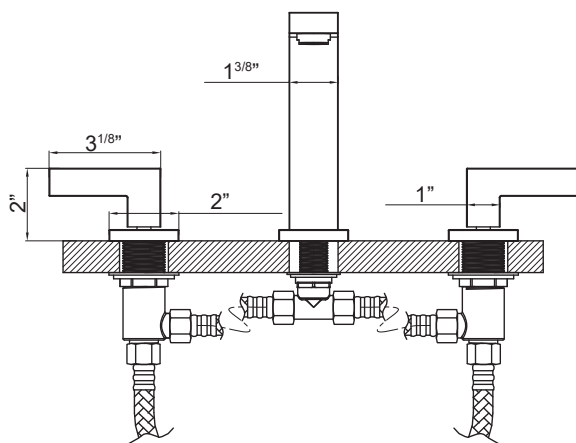
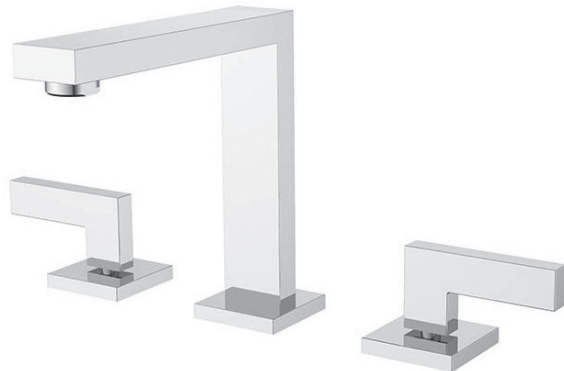


TITAN SERIES

FEATURES

- Solid brass construction
- Valve: brass cartridge
- Aerator: abs, 1.5GPM@60PSI
- Match with hot & cold supply hose, and connect hose
- 100% pressure system tested
- CUPC approved



AVAILABLE FINISHES

PC  CHROME

MB  MATTE BLACK