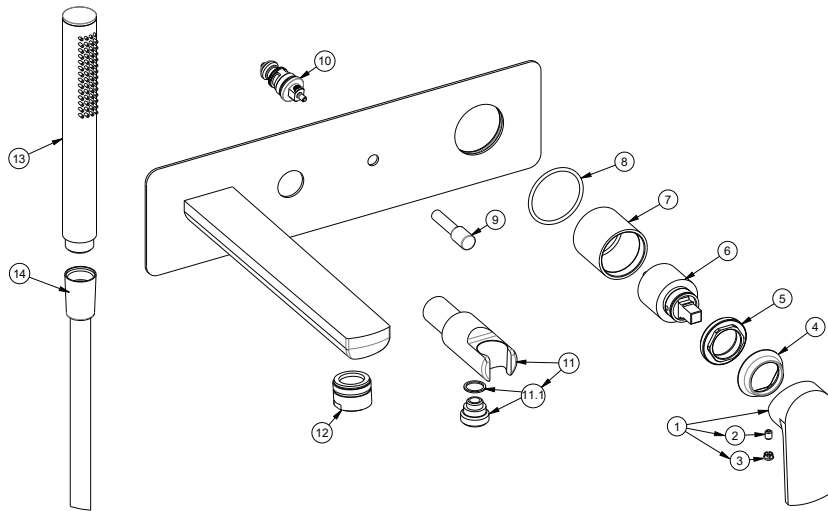


TRIM ONLY

- Rough-In Required: 27862.00.000
- Cartridge: 14720.00.000

AVAILABLE FINISHES





1	30972
2	13424
3	15652
4	25228
5	25227
6	14720
7	17322
8	10403
9	10779
10	25025
11	27733
11.1	10604
12	56
13	504
14	15144