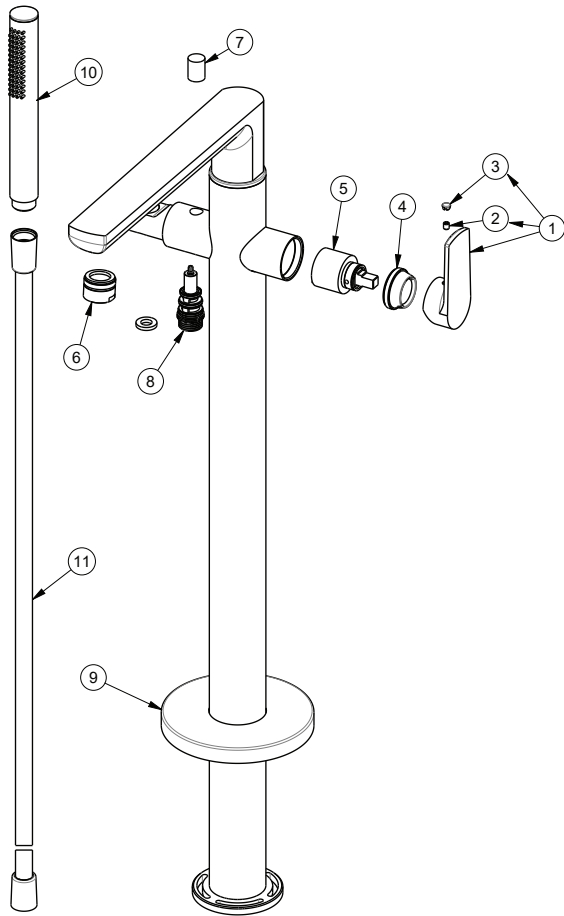


TRIM ONLY

- Rough-In Required: 27819.00.000
- Cartridge: 14720.00.000

AVAILABLE FINISHES





1	30975
2	10698
3	15652
4	16951
5	14720
6	56
7	25036
8	22535
9	28690
10	504
11	15144