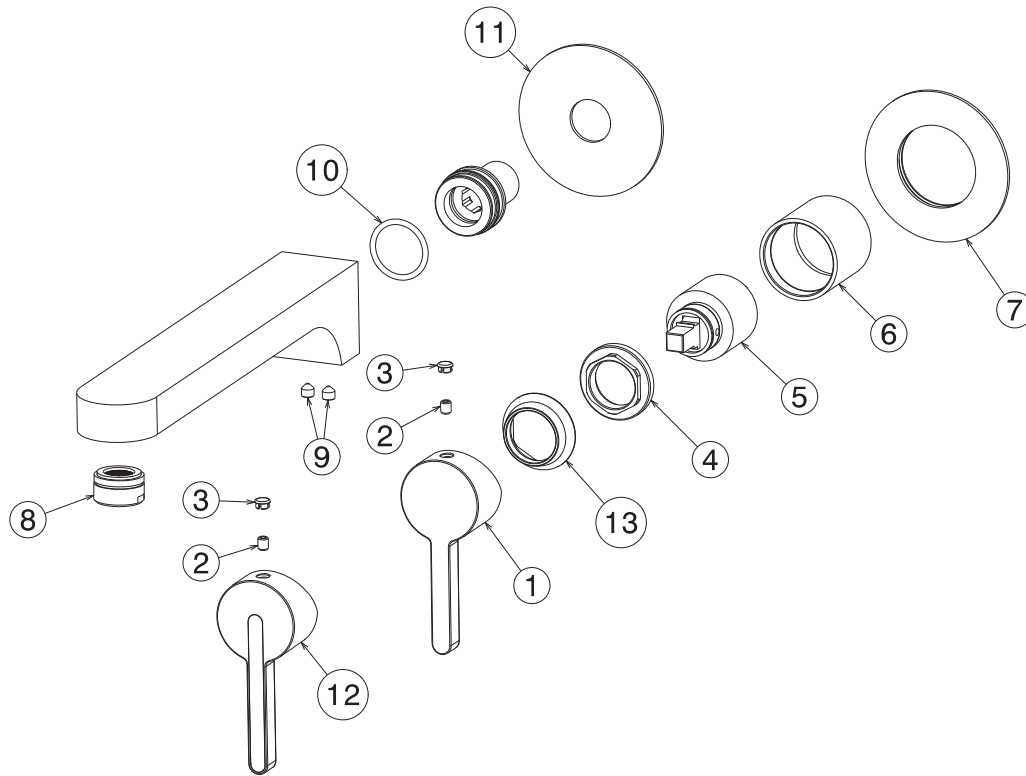


TRIM ONLY

- Rough-In Required: 27852.00.000
- Cartridge: 14720.00.000

AVAILABLE FINISHES





| | |
|----|-------|
| 1 | 25070 |
| 2 | 10698 |
| 3 | 15652 |
| 4 | 25227 |
| 5 | 14720 |
| 6 | 17322 |
| 7 | 25026 |
| 8 | 86 |
| 9 | 12601 |
| 10 | 10986 |
| 11 | 25006 |
| 12 | 25095 |
| 13 | 25228 |