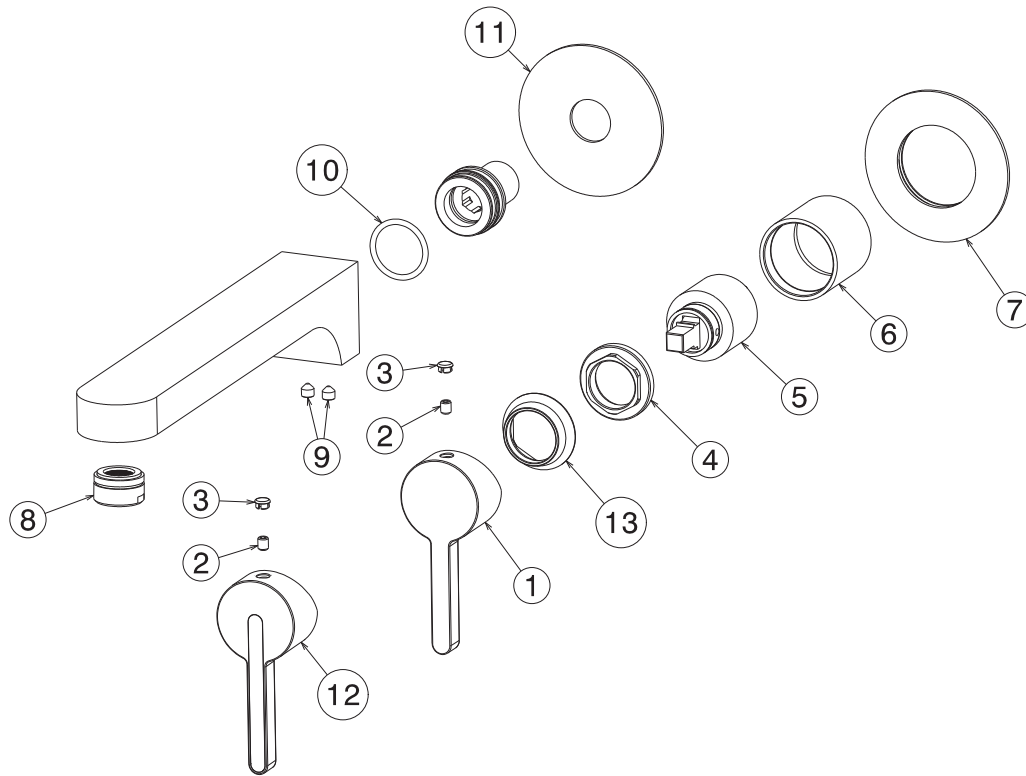


**TRIM ONLY**

- Rough-In Required: 27852.00.000
- Cartridge: 14720.00.000

**AVAILABLE FINISHES**





1	25070
2	10698
3	15652
4	25227
5	14720
6	17322
7	25026
8	86
9	12601
10	10986
11	25006
12	25095
13	25228