

TRIM ONLY

- Rough-In Required:
27891.00.000 Stop valve OR
27892.00.000 3 way diverter

AVAILABLE FINISHES



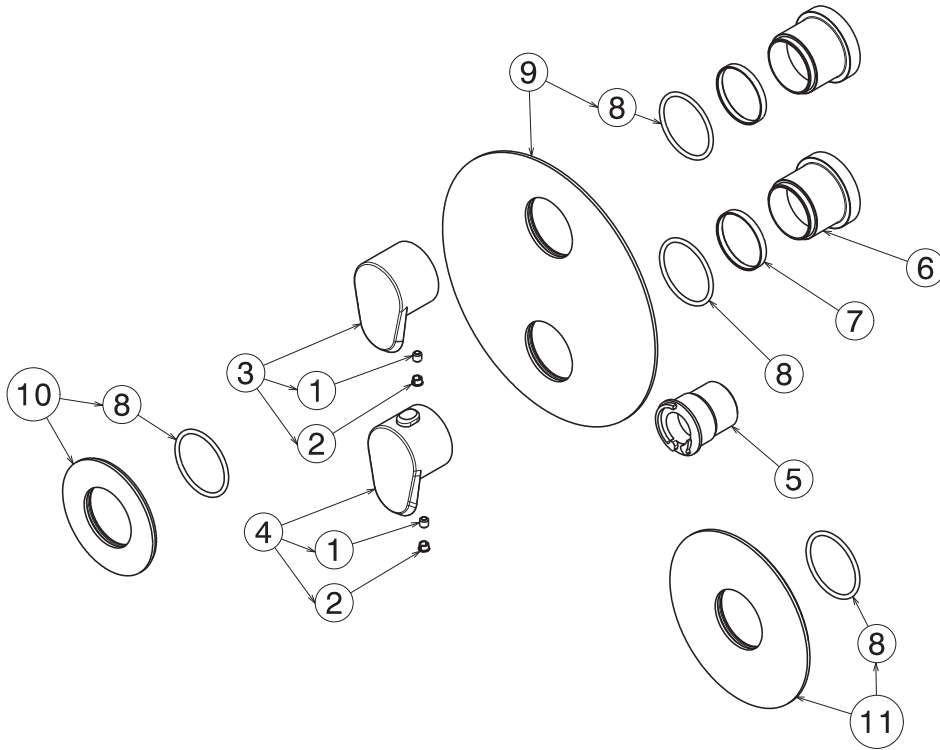
21.018
CHROME



31.028
BRUSHED NICKEL



01.093
MATT BLACK



1	13406
2	11902
3	28973
4	28974
5	28234
6	28204
7	28232
8	12796
9	28265
10	28273
11	28272