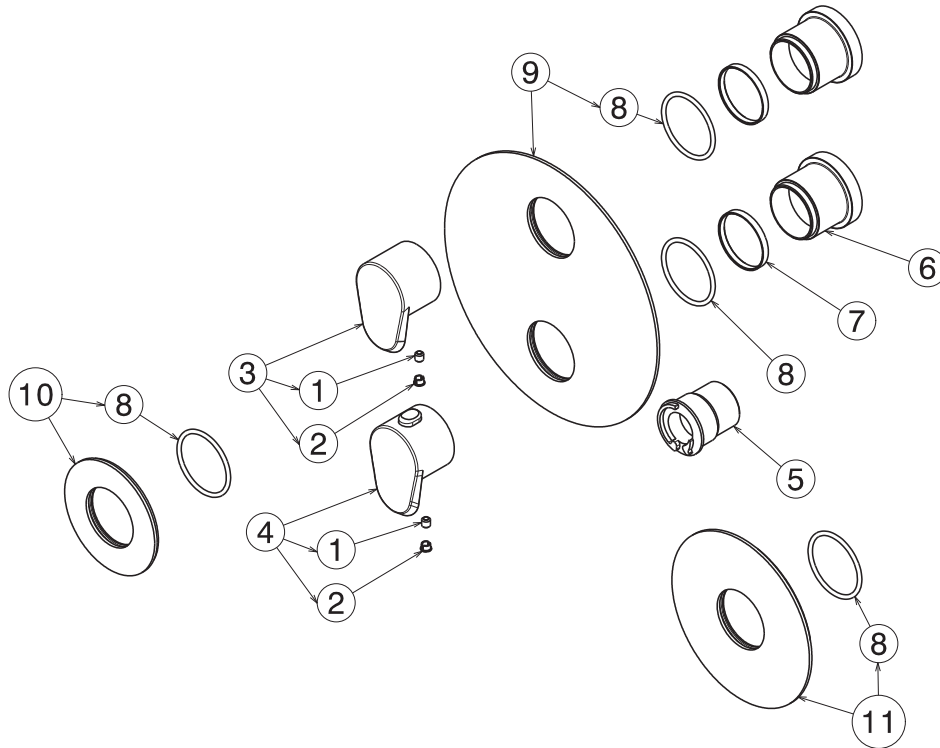


**TRIM ONLY**

- Rough-In Required:  
 27885.00.000 1 way out OR  
 27886.00.000 2 ways out

**AVAILABLE FINISHES**





1	13406
2	11902
3	28973
4	28974
5	28234
6	28204
7	28232
8	12796
9	28265
10	28273
11	28272