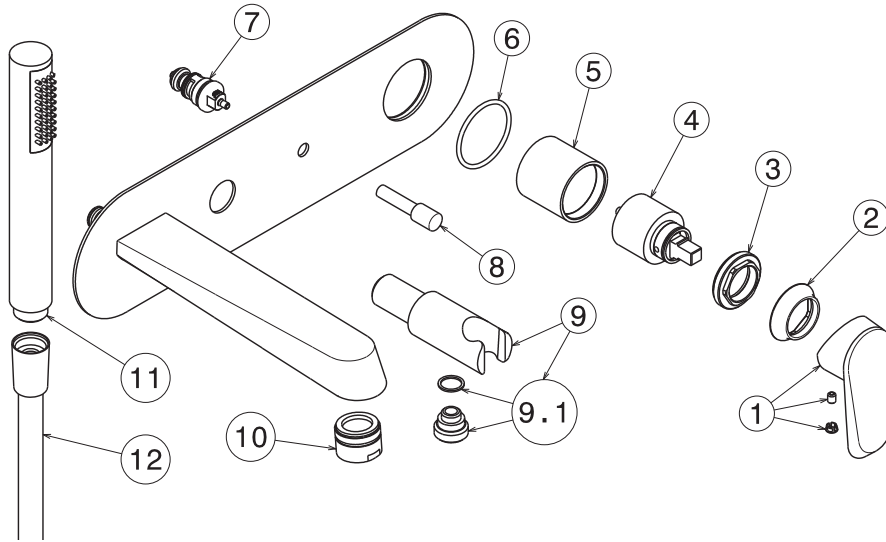


**TRIM ONLY**

- Rough-In Required: 27862.00.000
- Cartridge: 14720.00.000

**AVAILABLE FINISHES**





1	28972
2	25228
3	25227
4	14720
5	17322
6	10403
7	25025
8	10779
9	27733
9.1	10604
10	56
11	504
12	15144