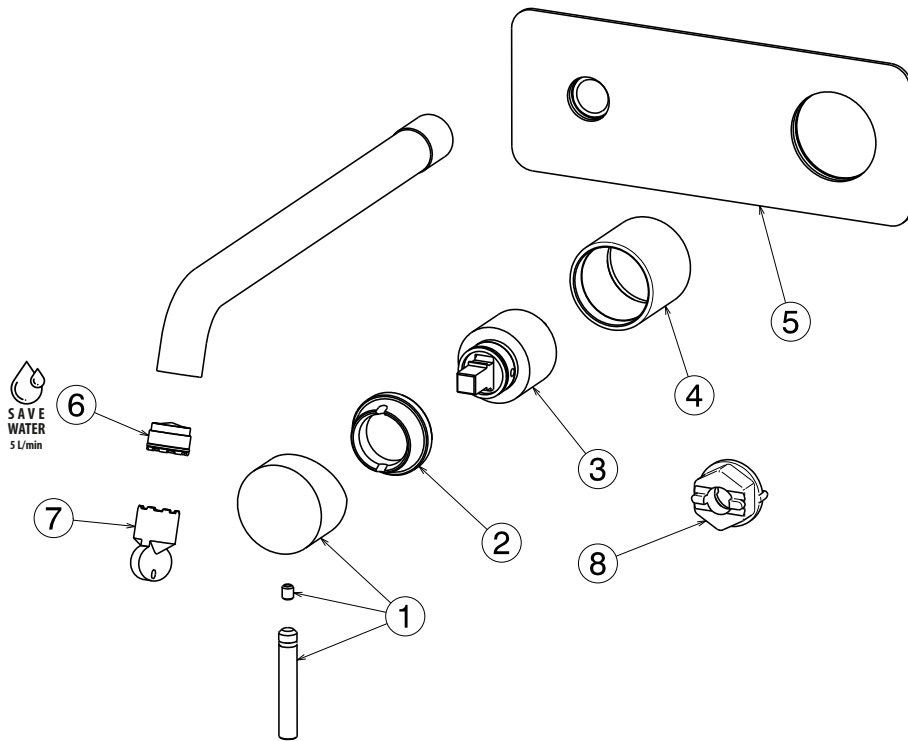


TRIM ONLY

- Rough in Required: 27852.00.000
- Cartridge: 14720.00.000

AVAILABLE FINISHES





1	29470X
2	20117X
3	14720
4	29401X
5	29471X
6	26825
7	13327
8	CH042