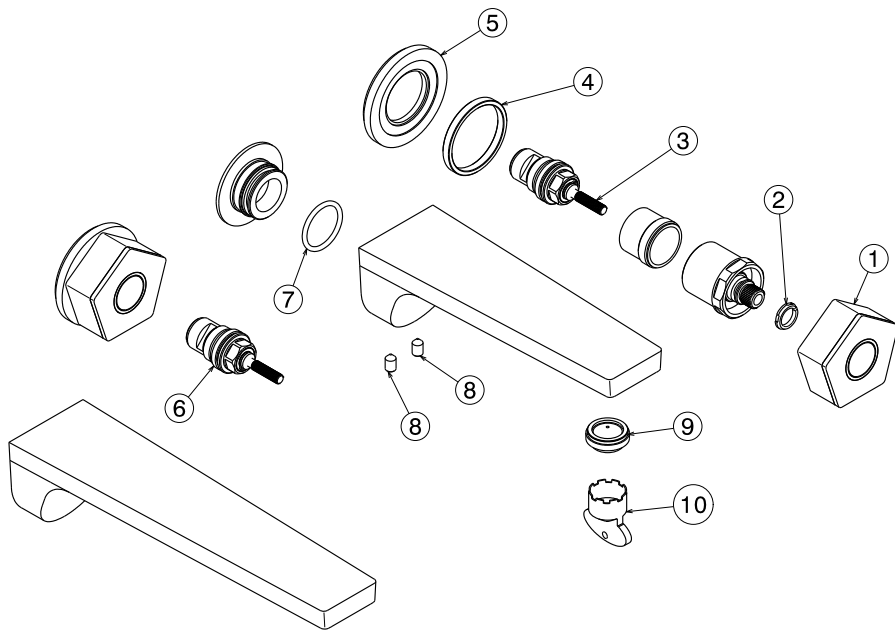


**TRIM ONLY**

- Rough in Required: 27858.00.000
- Cartridge: 11590SX.00.000 Left; 11590.00.000 Right

**AVAILABLE FINISHES**





1	29570
2	17410
3	11590
4	27526
5	27535
6	11590SX
7	10986
8	12601
9	45
10	13334