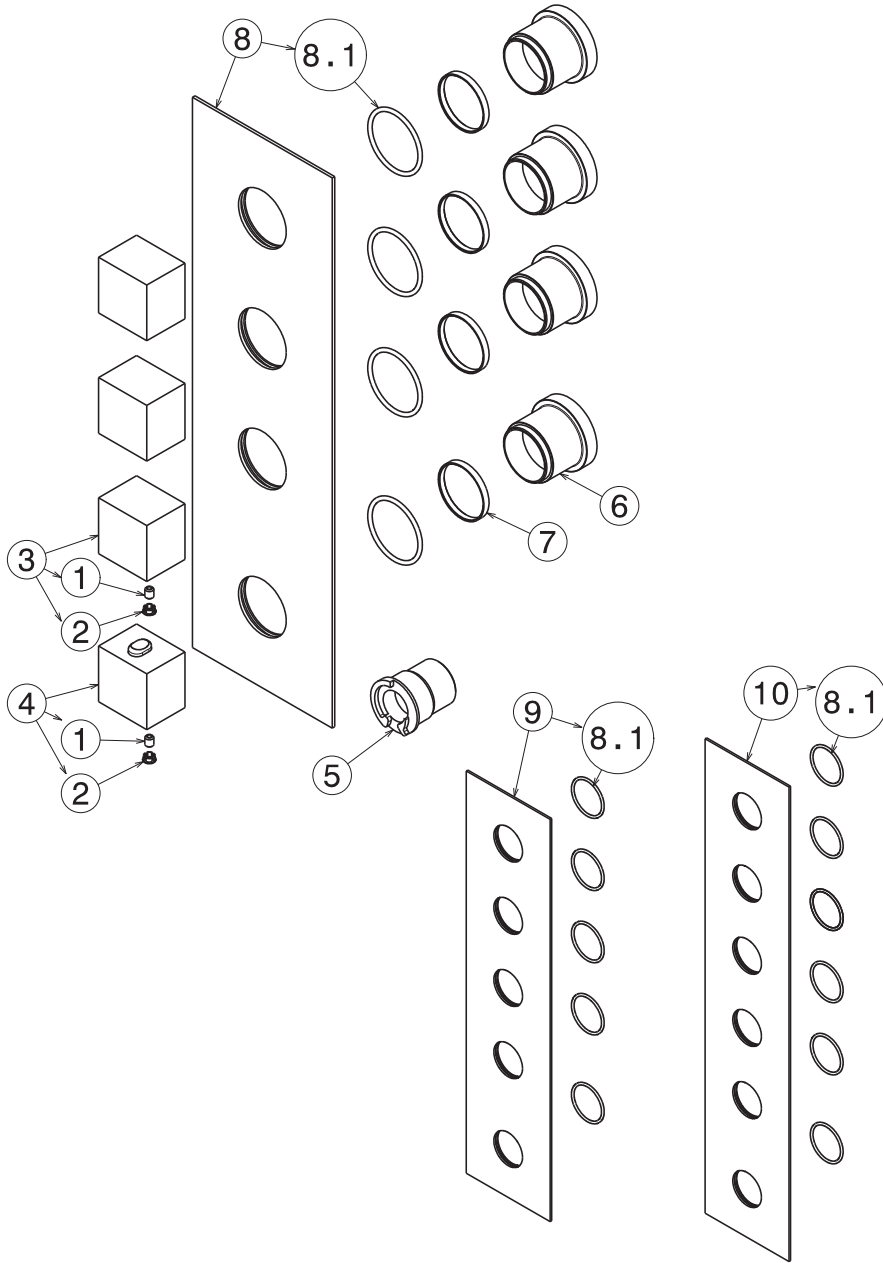


TRIM ONLY

- Rough-In Required: 27877.00.000

AVAILABLE FINISHES





| | |
|-----|-------|
| 1 | 13406 |
| 2 | 11902 |
| 3 | 28287 |
| 4 | 28286 |
| 5 | 28234 |
| 6 | 28204 |
| 7 | 28232 |
| 8 | 28290 |
| 8.1 | 10955 |
| 9 | 28291 |
| 10 | 28292 |