



TITAN SERIES

FEATURES

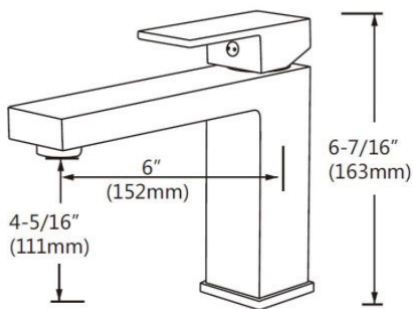
Solid lead-free brass construction
Handle: zinc alloy
Ceramic cartridges
Neoperl aerator
Flow rate: 1.5gpm@60psi
Hose: 50 cm 304 s.steel hose
Plating thickness: 10µm
24h acid salt spary test passed

SPECS

Spout reach: 5 1/4"
Spout height: 4 5/16"
Faucet height: 6 7/16"
Standard US plumbing 3/8" connections
Standard 1 3/8" diameter opening required

APPROVALS

cUPC
AB1953
NSF/ANSI 61
ADA for Lever handle



AVAILABLE FINISHES

PC  CHROME

MB  MATTE BLACK