





10" Showerhead	CASH10-SQ
Square 8" Ceiling arm	CASAC8-SQ
Vertical Thermostatic Rough	CALVRV-1
Square Thermostatic trim	CALVTV-SQ
Square 3 function handshower	CAHS3-SQ
Square Sliding bar	CABAR-SQ
69" Neoprene hose	CAHOSE
Square wall outlet	CAVOUT-SQ



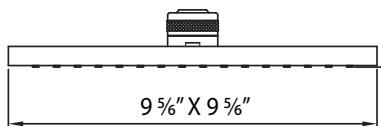
- Showerhead flow rate: 8.5L/min @60psi
- Handshower flow rate: 12L/min @ 60psi
- Handshower in BN & BG are single function
- Valve flow rate: 45L/min @ 60psi
- 1/2" inlet
- Individual & Dual Functions

AVAILABLE FINISHES

- PC  CHROME
- MB  MATTE BLACK

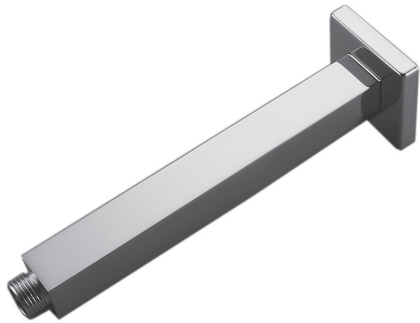


Square 10" showerhead
Ultra-thin design
Anti-Calcium Nipples
Flow rate: 8.5L/min



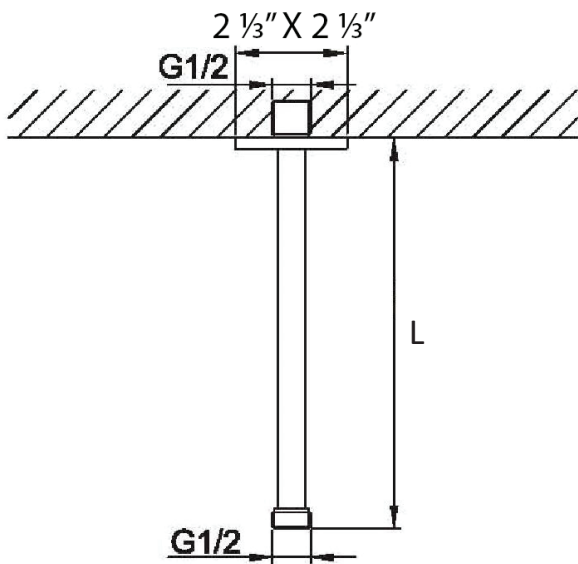
AVAILABLE FINISHES

- PC  CHROME
- MB  MATTE BLACK
- BG  BRUSHED GOLD
- BN  BRUSHED NICKEL



FEATURES

- Material: 304 Stainless Steel
- Available in 4", 8" & 12" lengths
- Spout thickness: 0.8mm
- Connector: 1/2NPT female adapter to wall

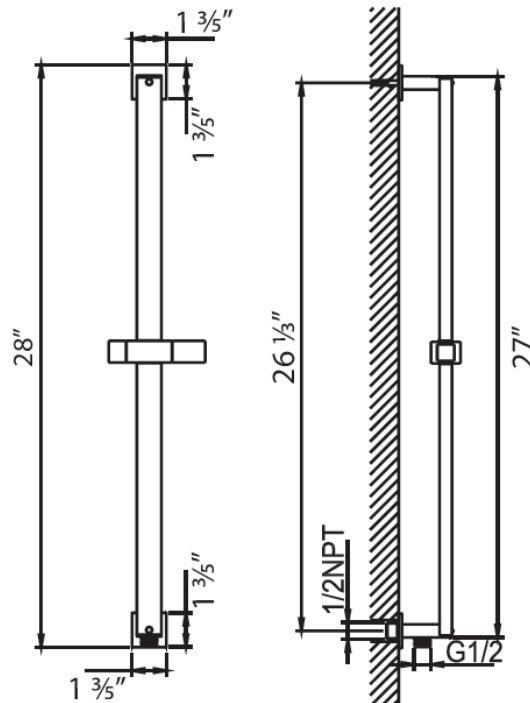


AVAILABLE FINISHES

- PC  CHROME
- MB  MATTE BLACK
- BG  BRUSHED GOLD
- BN  BRUSHED NICKEL

FEATURES

- Square sliding bar for handshower
- Pair with wall outlet



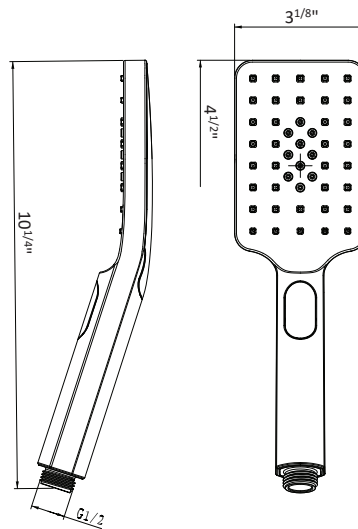
AVAILABLE FINISHES

- PC  CHROME
- MB  MATTE BLACK
- BG  BRUSHED GOLD
- BN  BRUSHED NICKEL



FEATURES

- Square ABS handshow
- 3 Functions: Rain, Pulsating, Mist
- Push button control
- Flow rate: 12L/min
- cUPC approved



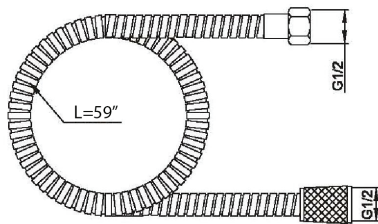
AVAILABLE FINISHES

PC  CHROME


MB  MATTE BLACK



1.5m neoprene hose



AVAILABLE FINISHES

- PC  CHROME
- MB  MATTE BLACK
- BG  BRUSHED GOLD
- BN  BRUSHED NICKEL



FEATURES

- Square wall outlet
- Material: SUS 304
- Wall adapter: 1/2 NPT, female thread
- Hose adapter: G1/2 male thread

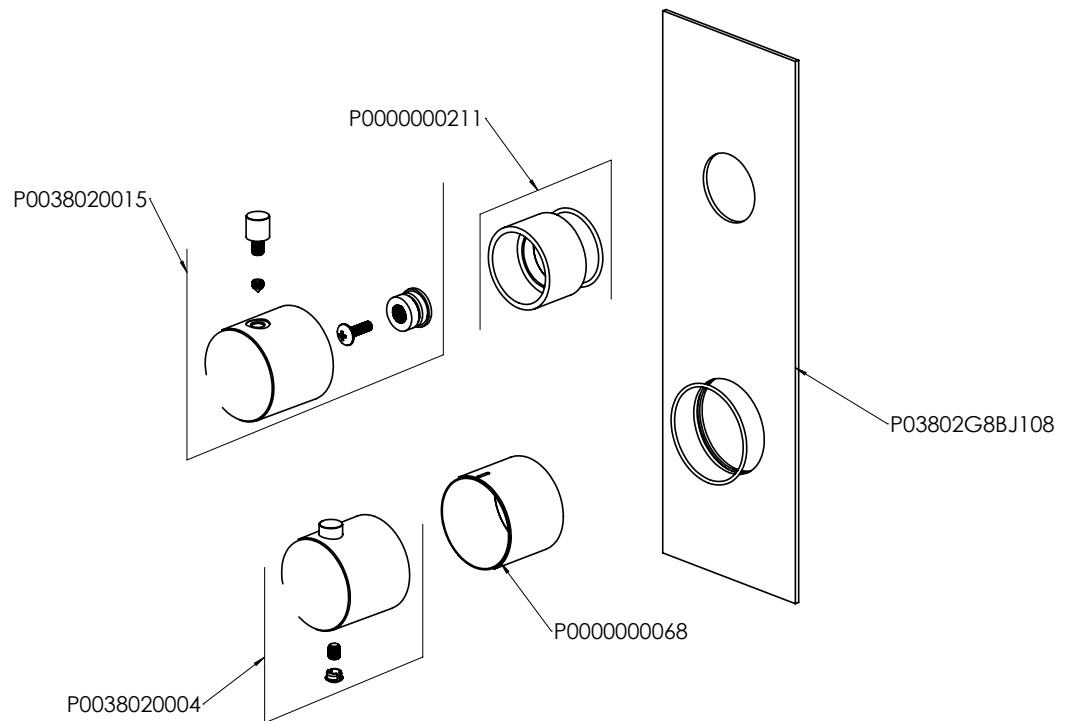
AVAILABLE FINISHES

- PC  CHROME
- MB  MATTE BLACK
- BG  BRUSHED GOLD
- BN  BRUSHED NICKEL



FEATURES

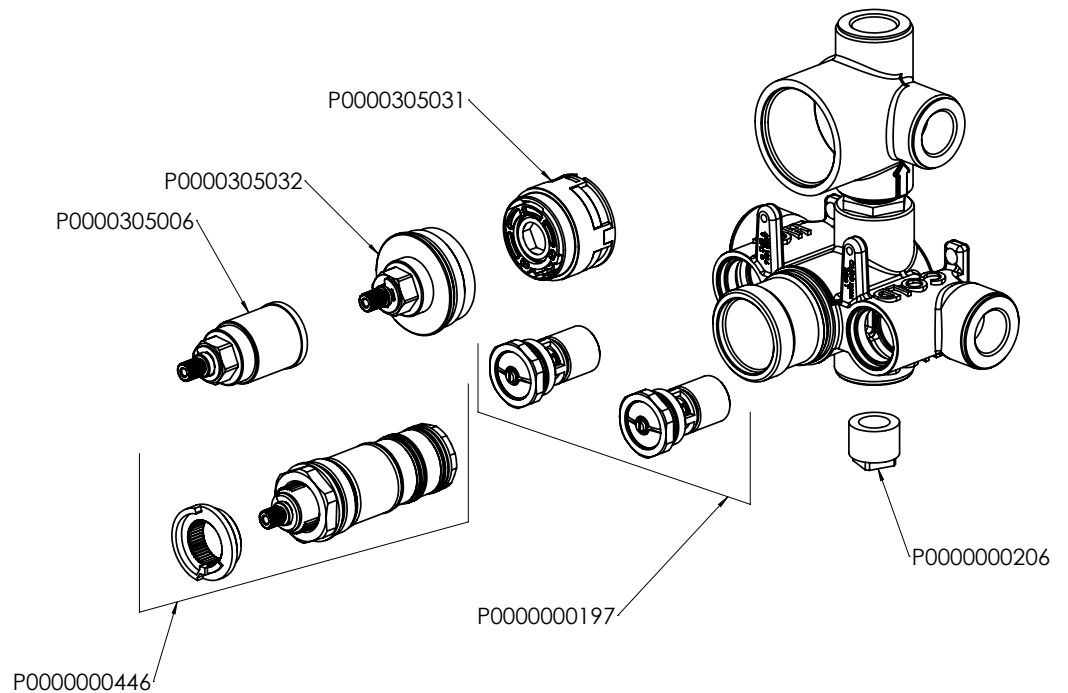
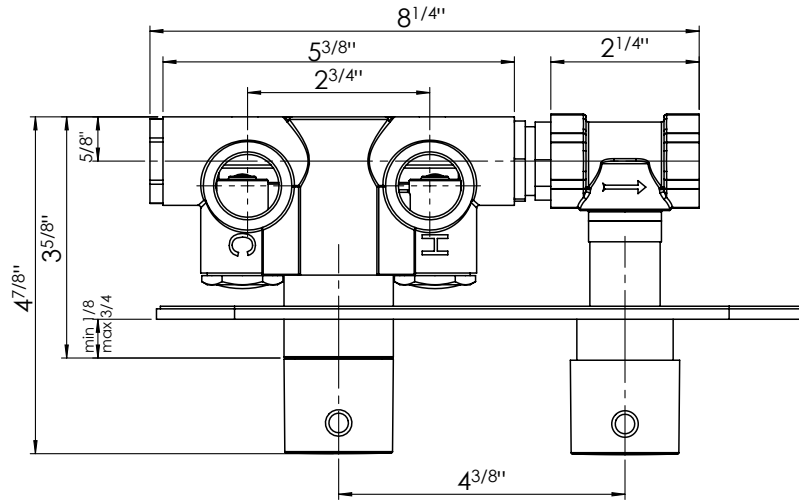
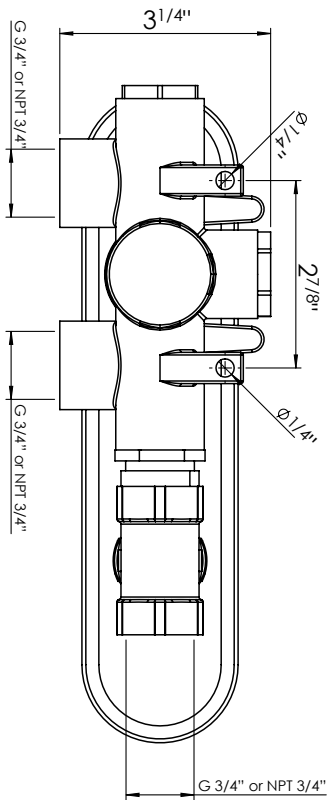
- 1/2" Thermostatic trim
- 2 way diverter and dual function
- Requires Rough-in Valve CALVRV-1



AVAILABLE FINISHES

PC  CHROME

MB  MATTE BLACK



- Thermostatic Cartridge: P0000000446
- Diverter Cartridge: P0000305006